



DC1500-AB221A  
DC1550-AB321A

*Energy Saving and Noiseless !*

Control  
AB221A / AB321A



Motor  
DC1550

Motor  
DC1500

### TECHNICAL DATA - MOTOR

Maximum speed:	9000 RPM (DC1500) 5000 RPM (DC1550)	Flange dimensions:	80x75 mm
Maximum torque:	3 Nm (DC1500) 8 Nm (DC1550)	Weight:	2.125 kg (DC1500) 3.120 kg (DC1550)
Operating voltage:	230 VAC	Shaft end (cylindrical) with keyway:	Ø14k6
Insulation class:	B	Incremental encoder:	integrated, 512 impulses/ rotation
Protection class:	IP40	Controls:	Series 200 (DC1500) Series 300 (DC1550)
Length:	145.5 mm (DC1500) 185.5 mm (DC1550)		



FRANKL & KIRCHNER GMBH & CO KG  
SCHEFFELSTRASSE 73 · 68723 SCHWETZINGEN  
Tel.: +49 6202 202-0 · Fax: +49 6202 202-115  
E-Mail: info@efka.net · www.efka.net



OF AMERICA INC.  
3715 NORTHCREST ROAD · SUITE 10  
ATLANTA · GEORGIA 30340  
Phone: (770) 457-7006 · Fax: (770) 458-3899  
E-mail: efkaus@bellsouth.net



ELECTRONIC MOTORS SINGAPORE PTE. LTD.  
67, AYER RAJAH CRESCENT #05-03  
SINGAPORE 139950  
Phone: +65 67772459 · Fax: +65 67771048  
E-mail: efkaems@efka.net

**Standard Accessory:**

- External actuator EB301A



**Special Accessories:**

- Control Panels with Integrated Thread Monitor Function

- V810

Can be mounted on machine head for easy switching of functions

- V820

With additional programming of up to 99 patterns and up to 99 seams (depending on memory assignment)

- V850

As V820 with full-text display



- Pedal with actuator FB302B for standing operation



FB302B

HSM001



IPG001



- Pulse encoder IPG001
- Position sensor HSM001
- Undertable mounting kit
- Light barrier module LSM002
- Stepping motor control SM210A



SM210A



LSM002

**Functions:**

- Universally usable for:
  - Lockstitch** - Pfaff, Dürkopp Adler, Toyota, Brother, Juki, Singer, Refrey, Macofrey
  - Lockstitch (medium to heavier duty)** - Dürkopp Adler, Pfaff, Juki, Brother
  - Chainstitch** - All brands
  - Overlock** - All brands, feed-off-the-arm machines e. g. Yamato
  - Backlatch** - Pegasus, Yamato
  - Stitch lock** - Pegasus, Yamato
- Adapter cords for various sewing machine brands are available*
- User-customized programming of functions
- Flexible programming of seams
- Digital programming directly on the control box
- Programmable light barrier functions
- Output signals for use on sewing automats
- Optional control panels V810, 820 and V850
- Serial interface for PC connection
- Flash technology, no Eprom
- Conventional motor mounting under the sewing table by means of a motor mounting foot (undertable mounting kit)
- Use of V-belts and different transmission ratios are possible
- Short-circuit proof signal outputs with overload protection
- 10 individually programmable switch inputs
- Separate knee switch connection for KN19
- Synchronus operation of 2 drives
- Can be extended to up to 5 stepping motor shafts

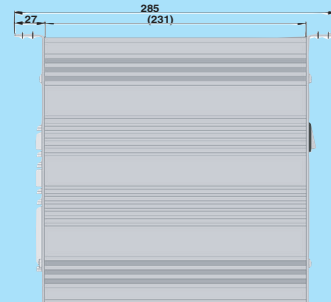
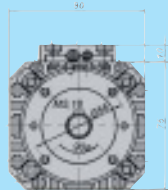
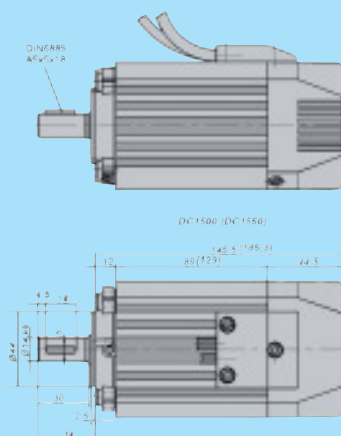
**Direct Mounting**



**Undertable Mounting**



- Mounting kits available for Pegasus EX/EXT, W500/W600, W1500, W2600, M700



Weight of control:  
4.3 kg

KL2545