

# EFKA

# motion by innovation

**New**



Synchronous operation

USB port

User customized programming

With integrated control for 2 stepping motors

29 outputs, 28 inputs  
2 analog inputs  
2 digital-analog converters

**Sewing drive control with integrated control for two stepping motors in one compact housing**

# AB425S / DC1500

# AB425S / DC1550

WWW.EFKA.NET

## EFKA

FRANKL & KIRCHNER GMBH & CO. KG  
SCHEFFELSTRASSE 73 • 68723 SCHWETZINGEN  
Tel.: 06202 2020 • Fax: 06202 202115  
E-Mail: info@efka.net • www.efka.net

## EFKA

OF AMERICA INC.  
3715 NORTHCREST ROAD SUITE 10  
ATLANTA GEORGIA 30340  
Phone: +1 (770) 457-7006 Fax: +1 (770) 458-3899  
E-mail: efkaus@bellsouth.net

## EFKA

ELECTRONIC MOTORS SINGAPORE PTE. LTD.  
67, AYER RAJAH CRESCENT 05-03  
SINGAPORE 139950  
Phone: +65 67772459 Fax: +65 67771048  
E-mail: efkaems@efka.net

**Standard Accessory:**

- External actuator EB301A



**Special Accessories:**

**- Control panels**

- variotouch 900 with graphic touch screen



- variocontrol VB10 for easy switching of functions
- variocontrol VB20 with additional programming of up to 99 patterns and up to 99 seams (depending on memory assignment)
- variocontrol VB50 as VB20 with full-text display



- Pedal with actuator FB302B for standing operation



FB302B



HSM001

- Pulse encoder IPG001
- Position sensor HSM001
- Undertable mounting kit
- Light barrier module LSM002
- Stepping motor SM200 or SM250



SM200



IPG001

LSM002

**Functions:**

- Universally usable for:
  - Lockstitch** - Pfaff, Dürkopp Adler, Toyota, Brother, Juki, Singer, Refrey, Macofrey
  - Lockstitch (medium to heavier duty)** - Dürkopp Adler, Pfaff, Juki, Brother
  - Chainstitch** - All brands
  - Overlock** - All brands, feed-off-the-arm machines e. g. Yamato
  - Backlatch** - Pegasus, Yamato
  - Stitchlock** - Pegasus, Yamato
- Adapter cords for various sewing machine brands are available*
- Usable for DC1500 and DC1550 motor
- Integrated stepping motor control for 2 stepping motors up to 5 A phase current
- Freely programmable using C200 Compiler
- Synchronous operation of 2 drives
- X/Y functions
- Output signals for use on sewing automats
- Optional control panels variocontrol VB10, VB20, VB50 or variotouch V900
- Serial interface for PC connection
- Flash technology, no EPROM
- USB port for data storage
- Short-circuit proof signal outputs with overload protection
- 29 outputs, 28 inputs, 2 analog inputs and 2 digital-analog converters
- Separate knee switch connection for KN19
- Integrated thread monitor function
- Conventional motor mounting under the sewing table by means of a motor mounting foot (undertable mounting kit)
- Use of V-belts and different transmission ratios are possible
- Operating hours counter
- Machine operating time monitoring with optical or acoustic signal for machine maintenance

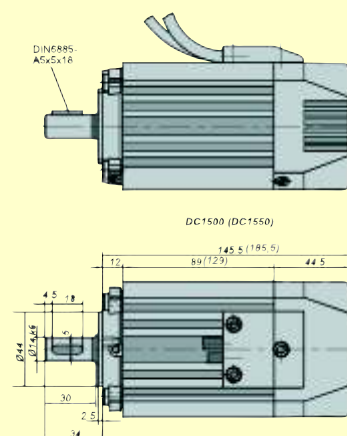
**Direct Mounting**



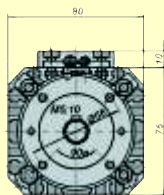
**Undertable Mounting**



- Mounting kits available for Pegasus EX/EXT, W500/W600, W1500, W2600, M700

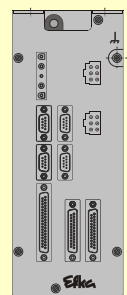
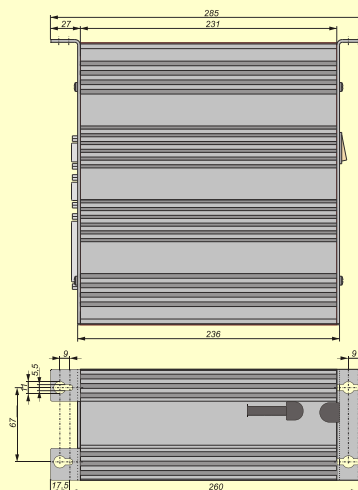
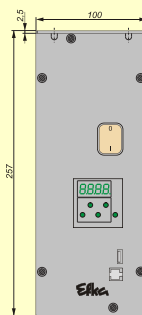


DC1500 (DC1550)



Weight of motor:  
DC1500 - 2.125 kg  
DC1550 - 3.120 kg

KL2312



Weight of control:  
4.3 kg

KL2553-01